

# Technical Data Sheet

## Signal Basin Mixer - TGN11

**TAVISTOCK**  
inspiring bathrooms

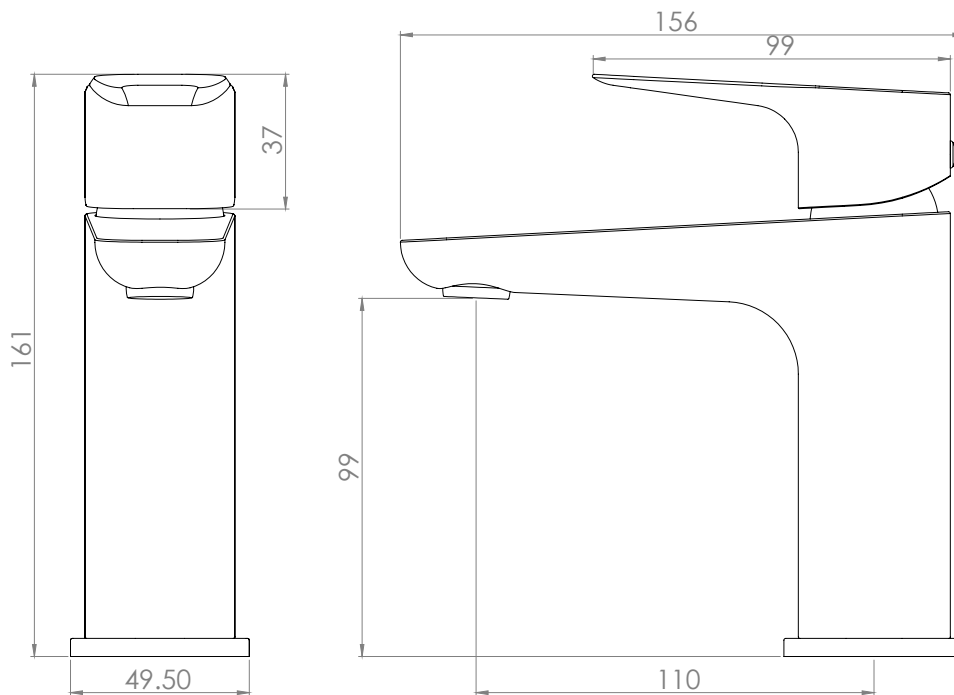
No.	Description	Code	Fixings Included
1	Signal Basin Mixer	TGN11	YES



Min Pressure:	0.3bar
0.1bar	2.8 litres / min
0.3bar	4.9 litres / min
0.4bar	5.7 litres/min
0.5bar	6.3 litres / min
1bar	8.8 litres / min
2bar	12.4 litres / min
3bar	15.2 litres / min

### Dimensions - TGN11

Diagrams not to scale. All dimensions in mm (tolerance of +/-5mm)



\*Dimensions are subject to change, customers are advised to measure actual product before commencing installation.

### FAQs

**What is the size of the tap tail connection?** The tap tails have a standard 1/2" BSP fixing.

**What bore is the tap tail?** The tails have a 10mm internal bore.

**What length are the tap tails?** The tails are 300mm in length.

**Does the tap come fitted with an aerator?** Yes.

# Technical Data Sheet

## Signal Mini Basin Mixer - TGN61

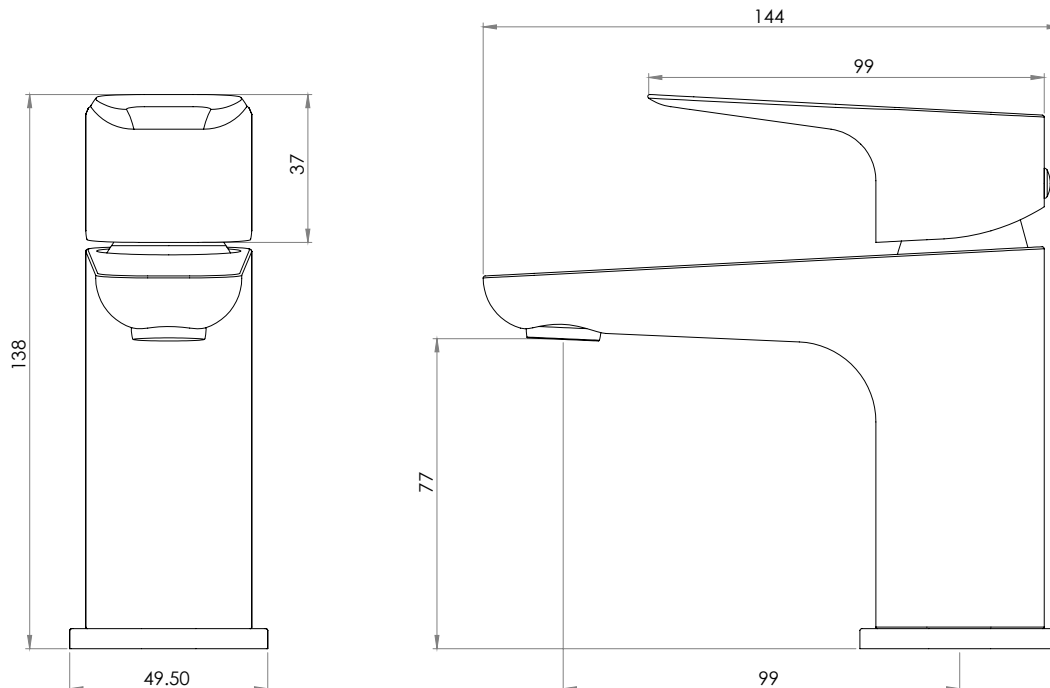
No.	Description	Code	Fixings Included
1	Signal Mini Basin Mixer	TGN61	YES



Min Pressure:	0.3bar
0.1bar	4.2 litres / min
0.3bar	7.1 litres / min
0.4bar	8.4 litres/min
0.5bar	9.4 litres / min
1bar	13.8 litres / min
2bar	19.6 litres / min
3bar	23.0 litres / min

### Dimensions - TGN61

Diagrams not to scale. All dimensions in mm (tolerance of +/-5mm)



\*Dimensions are subject to change, customers are advised to measure actual product before commencing installation.

### FAQs

**What is the size of the tap tail connection?** The tap tails have a standard 1/2" BSP fixing.

**What bore is the tap tail?** The tails have a 10mm internal bore.

**What length are the tap tails?** The tails are 300mm in length.

**Does the tap come fitted with an aerator?** Yes.

# Technical Data Sheet

Signal Bath Filler - TGN32

**TAVISTOCK**  
inspiring bathrooms

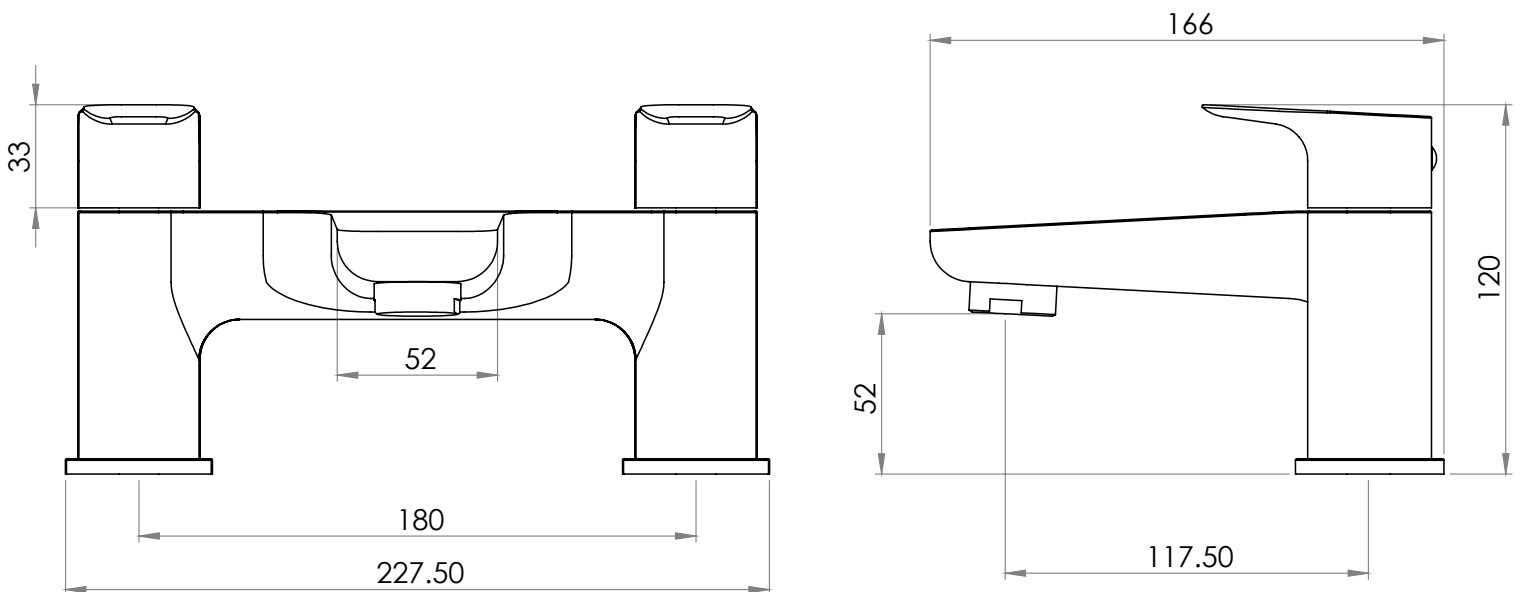
No.	Description	Code	Fixings Included
1	Signal Bath Filler	TGN32	YES



Min Pressure:	0.3bar
0.1bar	10.0 litres / min
0.3bar	13.0 litres / min
0.4bar	16.0 litres / min
0.5bar	18.0 litres / min
1bar	25.0 litres / min
2bar	36.0 litres / min
3bar	45.0 litres / min

## Dimensions - TGN32

Diagrams not to scale. All dimensions in mm (tolerance of +/-5mm)



\*Dimensions are subject to change, customers are advised to measure actual product before commencing installation.

## FAQs

**What is the size of the tap tail connection?** The tap tails have a standard 1/2" BSP fixing.

**What bore is the tap tail?** The tails have a 10mm internal bore.

**What length are the tap tails?** The tails are 300mm in length.

**Does the tap come fitted with an aerator?** Yes.

# Technical Data Sheet

## Signal Bath Shower Mixer - TGN42

**TAVISTOCK**  
inspiring bathrooms

No.	Description	Code	Fixings Included
1	Signal Bath Shower Mixer	TGN42	YES



Min Pressure:	0.3bar
0.1bar	9.0 litres / min
0.3bar	12.8 litres / min
0.4bar	15.0 litres / min
0.5bar	17.4 litres / min
1bar	25.5 litres / min
2bar	35.0 litres / min
3bar	42.3 litres / min

### Dimensions - TGN42

Diagrams not to scale. All dimensions in mm (tolerance of +/-5mm)

\*Dimensions are subject to change, customers are advised to measure actual product before commencing installation.

### FAQs

**Does the tap come fitted with an aerator?** Yes.

**What size plumbing fittings are needed for the threaded legs?** This product will work with standard 3/4" plumbing fittings.